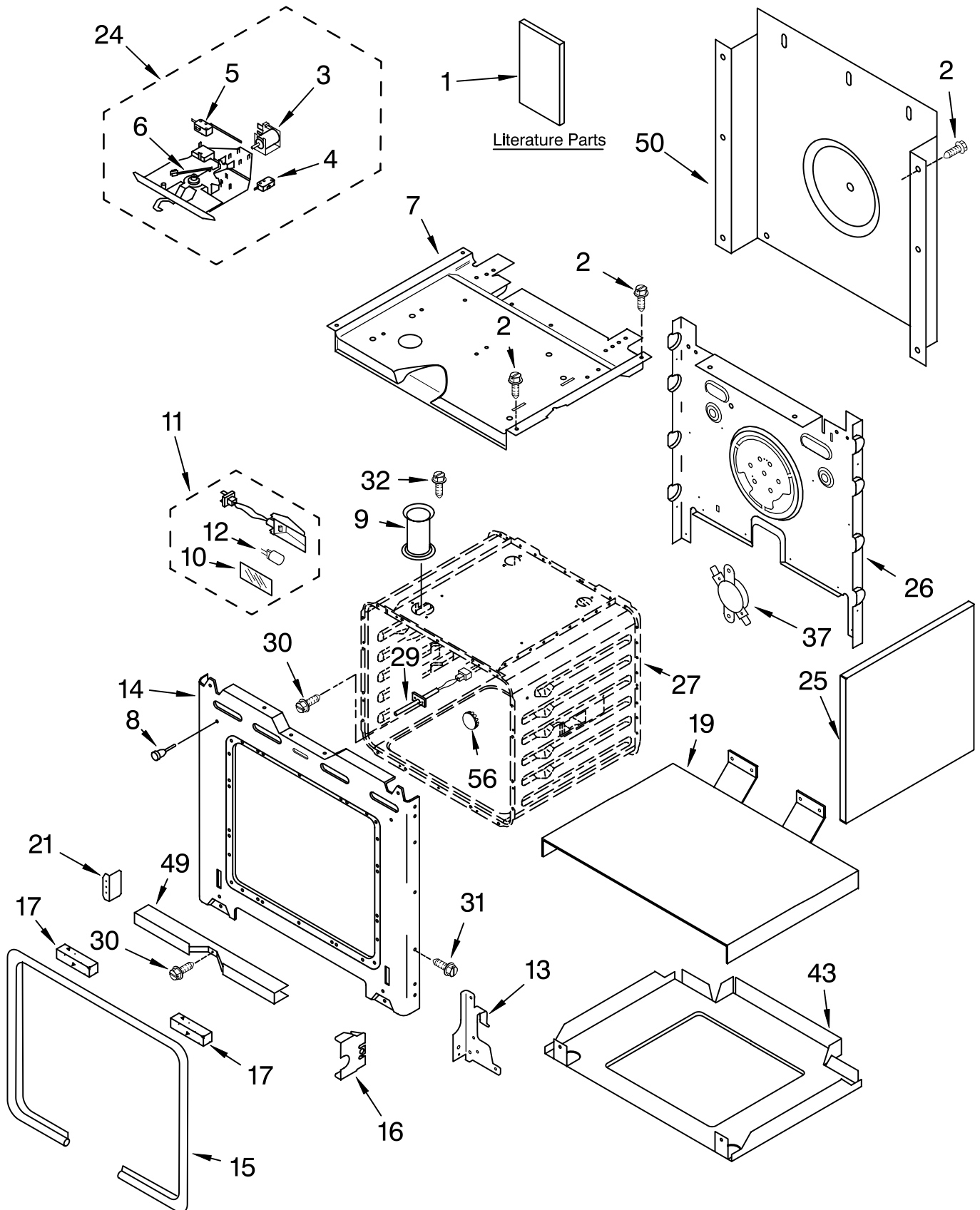


OVEN PARTS
For Model: KDRP407HSS4
(Stainless Steel)

30" KITCHENAID
FREE STANDING RANGE
DUAL FUEL



FOR ORDERING INFORMATION REFER TO PARTS PRICE LIST

OVEN PARTS

For Model: KDRP407HSS4
(Stainless Steel)

Illus. No.	Part No.	DESCRIPTION
NOTE: The screws and nuts required to attach a part are listed immediately following that part.		
1		Literature Parts
	LIT4455927	Installation Instructions
	LIT8300219	Use & Care Guide
	LIT4453057	Tech Sheet
	LIT4453152	Conversion Instructions
	LIT3191638	Safer Cooking Tips
2	4449809	Screw, 8-18 x 3/8
3	4452224	Solenoid
4	4452312	Switch, Micro
5	4451426	Switch, Micro
6	4451537	Spring, Latch
7	4455866	Top, Chassis

Illus. No.	Part No.	DESCRIPTION
8	4448520	Bumper, Door
9	4452158	Tube, Vent
10	4452163	Lens, Light
11	4448972	Oven Light Assy
	4449748	Screw
12	4452164	Bulb, Light
13		Hinge Receiver
	4455605	Left Hand
	4455606	Right Hand
14	4455612	Frame, Front
15	4455382	Gasket, Door
16	4452152	Bracket, Mounting
	4449809	Screw
17	4452260	Spacer, Foam
19	4451478	Support, Insulation
21	4455510	Bracket, Support
24	4451896	Latch Assy
25	4455641	Side, Chassis
26	4452234	Back, Chassis
27		Liner, Oven (Not serviceable)

Illus. No.	Part No.	DESCRIPTION
29	4455636	Sensor
30	4449154	Screw, 8-32 x .440
31	4449040	Screw, 8-18 x 3/8
32	3196176	Screw, 8-18 x 1/2
37	4451442	Thermostat (TOD) (Temp.) SPST
43	4455649	Base, Chassis
49	4448933	Retainer, Gasket
50	4451747	Cover, Back
56	4448982	Button, Plug

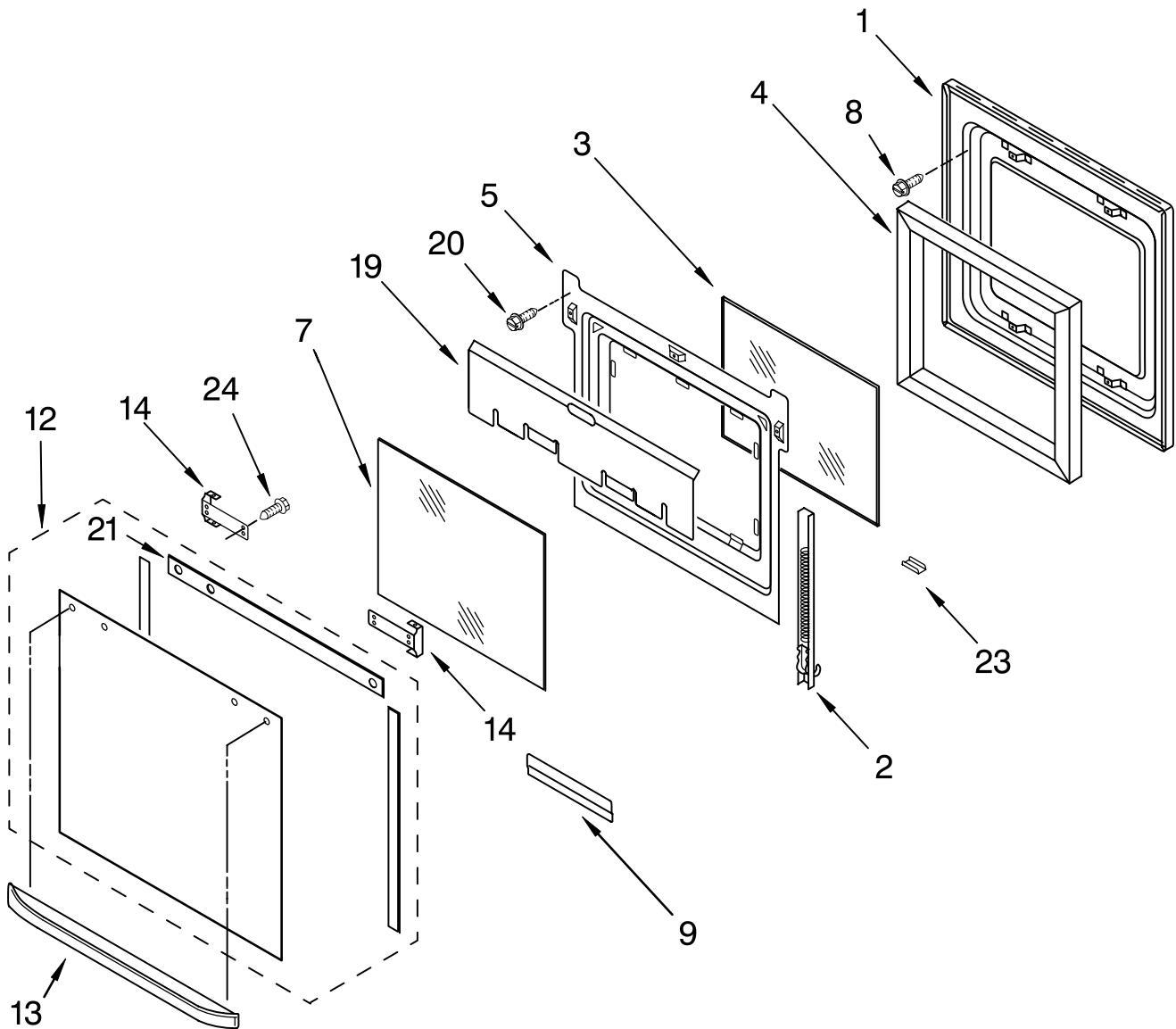
FOLLOWING PARTS NOT ILLUSTRATED

INSULATION

4449316	Insulation, Wrap
4450365	Insulation, Back
4452337	Insulation, Bottom Vent

OVEN DOOR PARTS

For Model: KDRP407HSS4
(Stainless Steel)



Illus. No.	Part No.	DESCRIPTION
1	4455618	Door Liner
2	8300577	Hinge, Door R.Side
	8300578	L.Side
3	4449259	Glass, Inner
4	4451722	Insulation, Door
5	8300778	Retainer, Glass

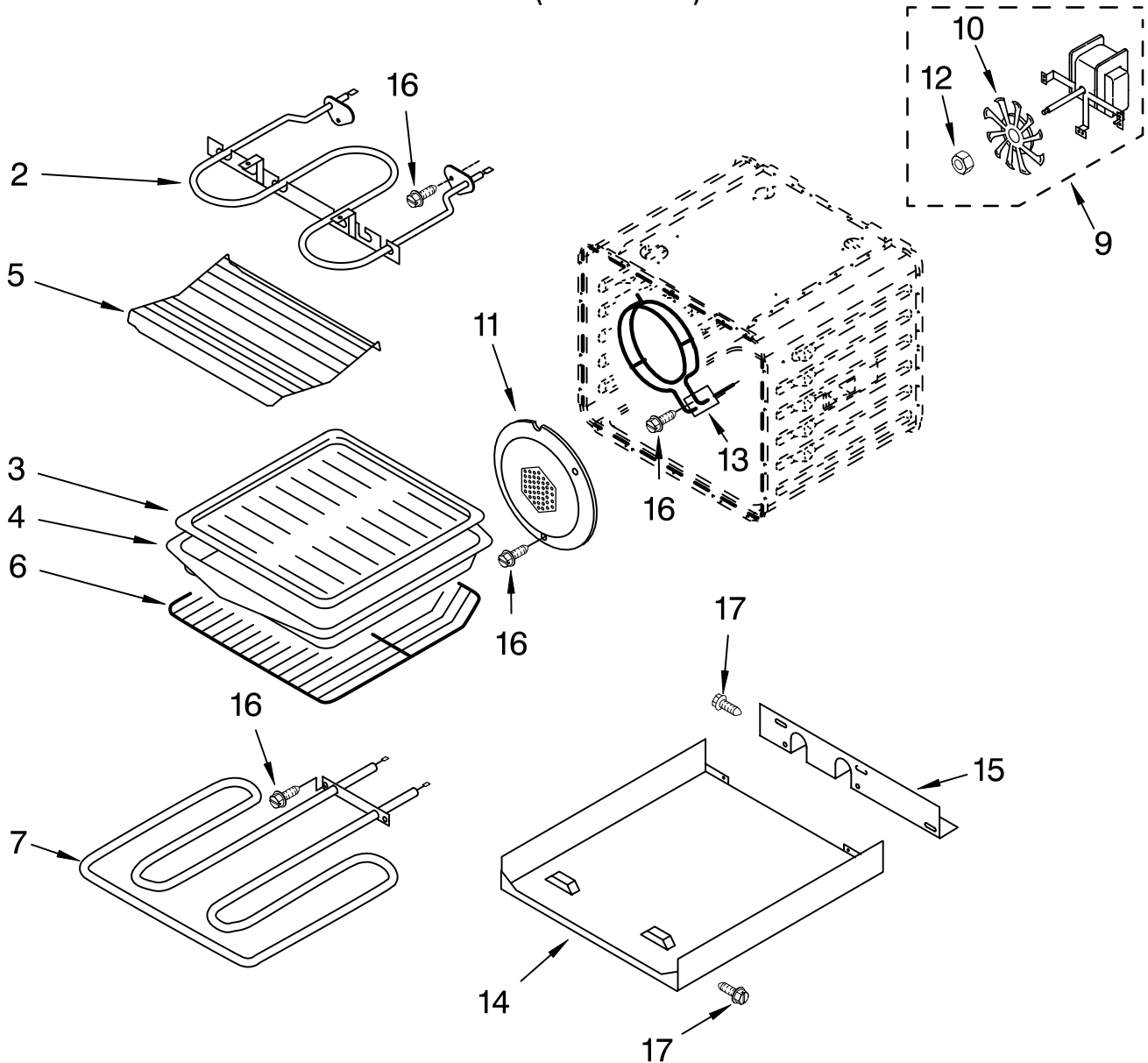
Illus. No.	Part No.	DESCRIPTION
7	4449263	Glass, Inner
8	4449743	Screw, 8-32 x 3/8
9	4451668	Retainer, Glass
12	4452316	Assy, Door Glass
13	4455851	Door Handle
14	4455803	Bracket, Handle Right Hand
	4455804	Left Hand
	3400832	Screw

Illus. No.	Part No.	DESCRIPTION
19	4450362	Shield, Heat
20	4449809	Screw, 8-18 x 3/8
21	4452326	Seal, Door Top
23	4451432	Retainer, Clip
	3400832	Screw
24	3196184	Screw, 8-32 x .548

FOR ORDERING INFORMATION REFER TO PARTS PRICE LIST

INTERNAL OVEN PARTS

For Model: KDRP407HSS4
(Stainless Steel)



Illus. No.	Part No.	DESCRIPTION
2	4452154	Element, Broil
	4449154	Screw
3	3147563	Grill, Broiler
4	3147845	Pan, Broiler
5	3181534	Rack, Roasting
6	4452807	Rack, Oven

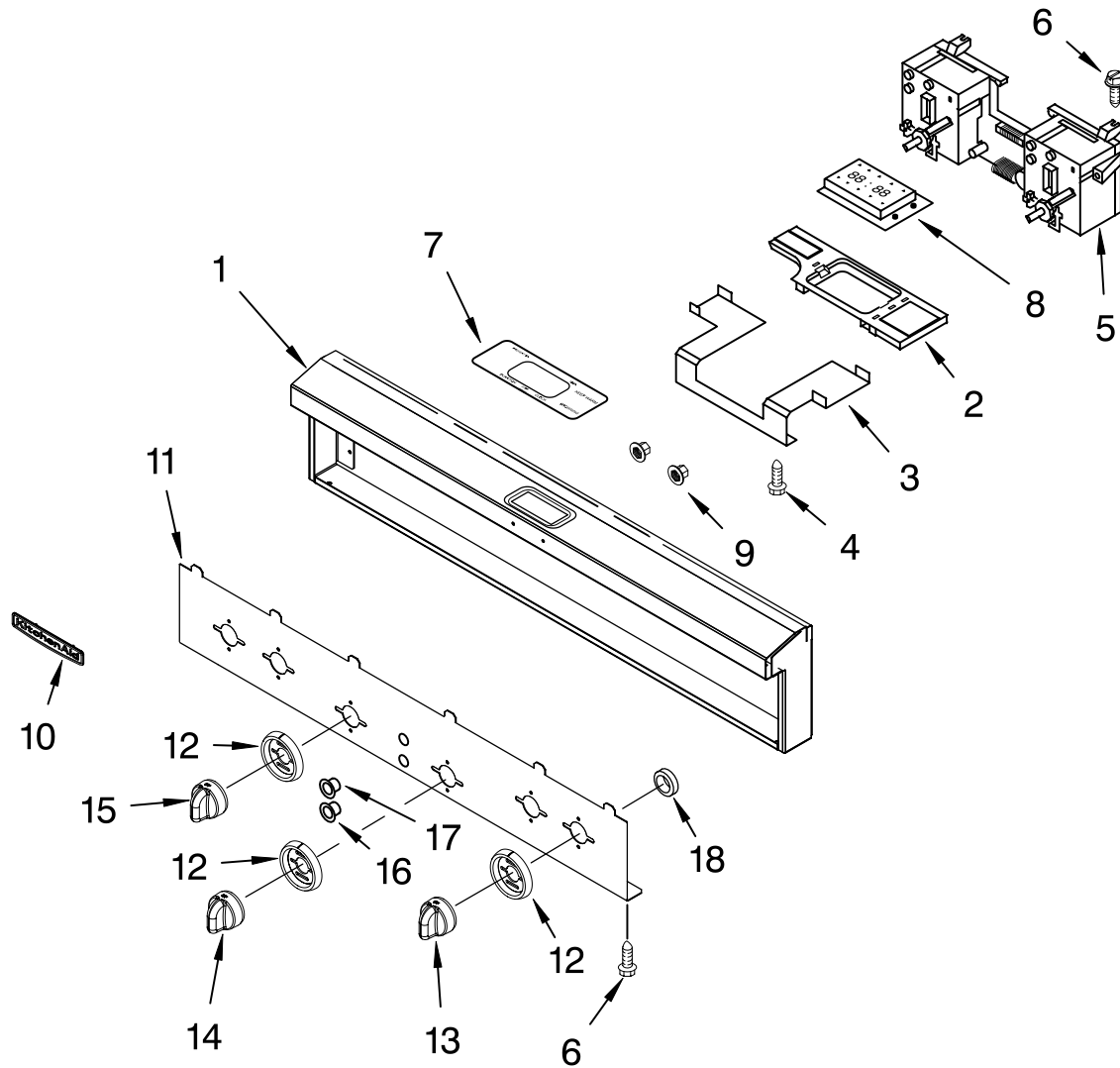
Illus. No.	Part No.	DESCRIPTION
7	4452155	Element, Hidden Bake
9	4451583	Motor, Convection
10	4452226	Blade, Fan
11	4448418	Cover, Fan
12	4452227	Nut

Illus. No.	Part No.	DESCRIPTION
13	4452157	Element, Convection
14	4455037	Tray, Hidden Bake
15	4450039	Cover, Access
16	4449154	Screw, 8-32 x .440
17	4449809	Screw, 8-18 x 3/8

FOR ORDERING INFORMATION REFER TO PARTS PRICE LIST

CONTROL PANEL PARTS

For Model: KDRP407HSS4
(Stainless Steel)



Illus. No.	Part No.	DESCRIPTION
1	4453188	Panel, Control
2	4453000	Bracket, Display
3	4453120	Bracket, Display Mounting
4	3196537	Screw, 8-18 x 3/8
5	4452443	Control, Zodiac
6	4449899	Screw, 6-19 x 1

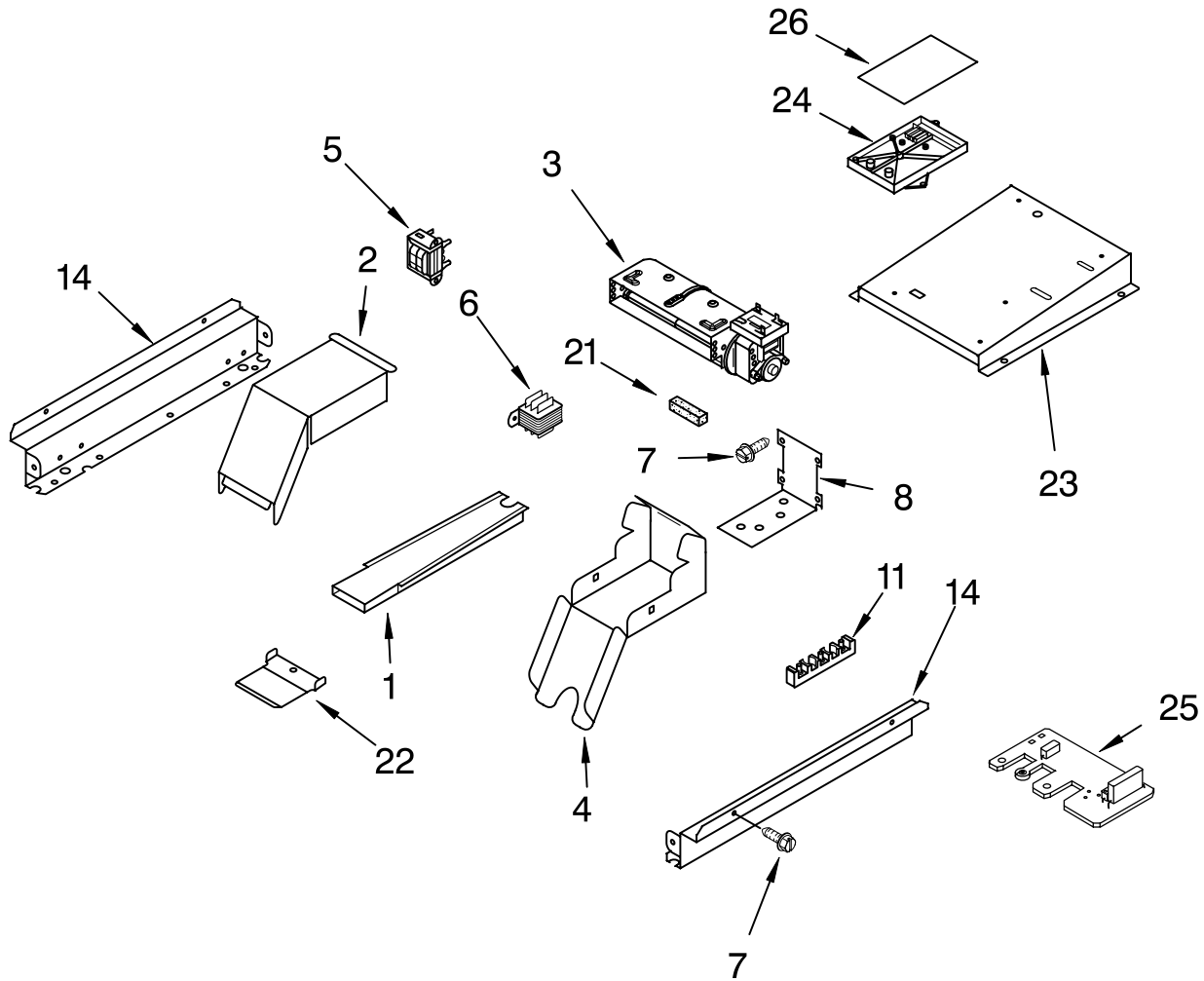
Illus. No.	Part No.	DESCRIPTION
7	4453199	Escutcheon, Control Panel
8	4452999	Module, Display
9	2004333	Palnut
10	2005292	Nameplate
11	4455211	Face, Control Panel
12	4455192	Bezel, Knob

Illus. No.	Part No.	DESCRIPTION
13	4454970	Knob, Control
14	4455115	Knob, Temp/Time
15	4455141	Knob, Selector
16	4452998	Button, Cancel
17	4452997	Button, Enter
18	4455719	Spacer Ring

FOR ORDERING INFORMATION REFER TO PARTS PRICE LIST

TOP VENTING PARTS

For Model: KDRP407HSS4
(Stainless Steel)

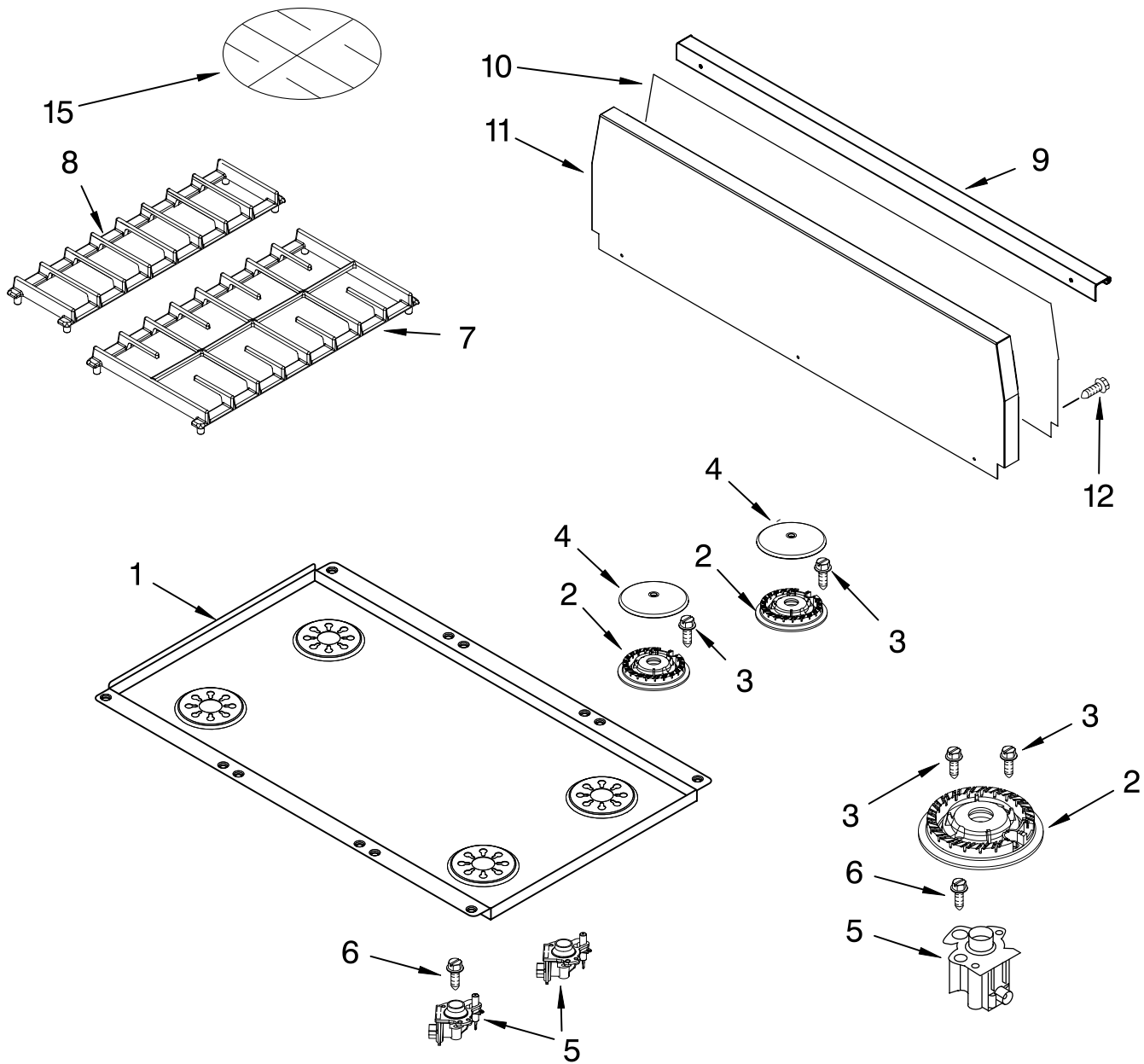


Illus. No.	Part No.	DESCRIPTION	Illus. No.	Part No.	DESCRIPTION	Illus. No.	Part No.	DESCRIPTION
1	4451759	Vent, Exhaust	6	8300642	Transformer, Control	23	4452441	Bracket, Control Mounting
2	4451438	Elbow, Vent-Top	7	4449809	Screw, 8-18 x 3/8	24	4452444	Control, Zodiac
3	4452811	Blower 60MM	8	4455352	Bracket, Blower	25	4451985	Suppressor
	4449809	Screw (4)	11	4449868	Block, Terminal		3400080	Screw (4)
	3400015	Screw (1)	14	4452442	Side, Control Top	26	4453207	Insulator, Control Board
4	4451752	Elbow, Vent-Bottom	21	4451758	Seal, Foam			
5	6610122	Transformer, Light	22	4452489	Deflector, Vent Box			

FOR ORDERING INFORMATION REFER TO PARTS PRICE LIST

COOKTOP PARTS

For Model: KDRP407HSS4
(Stainless Steel)



Illus. No.	Part No.	DESCRIPTION
1	4455032	Cooktop
2	4455849	Burner Head
3	3368921	Screw, 7-18 x 3/4
4	4455243	Cap, Burner

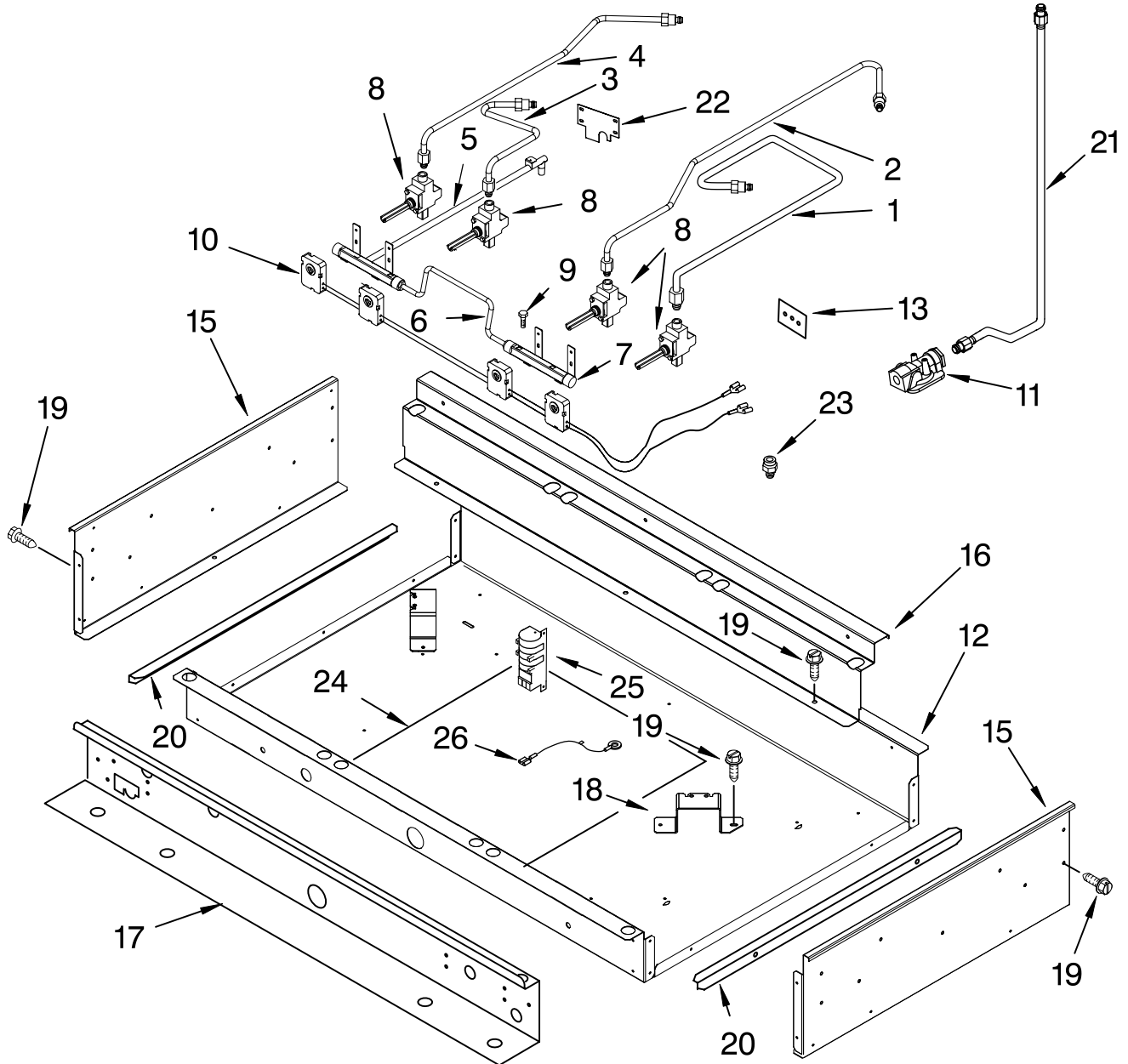
Illus. No.	Part No.	DESCRIPTION
5	9754188	Orifice Holder (Includes Orific & Ignitor)
	3400843	Screw
6	3177991	Screw, 8-18 x 1/4
7	4454963	Grate, Burner

Illus. No.	Part No.	DESCRIPTION
8	4454964	Grate, Filler
9	4454961	Trim, Island
10	4455031	Support, Backsplash
11	4454959	Trim, Backsplash
12	3400837	Screw, 8-18 x 3/8
15	4455109	Plate, Simmer

FOR ORDERING INFORMATION REFER TO PARTS PRICE LIST

BURNER BOX AND MANIFOLD PARTS

For Model: KDRP407HSS4
(Stainless Steel)



Illus. No.	Part No.	DESCRIPTION
1	4455078	Tubing, Gas Burner – RF
2	4455079	Tubing, Gas Burner – RR
3	4455148	Tubing, Gas Burner – LF
4	4455149	Tubing, Gas Burner – LR
5	4452814	Manifold Assembly Left Side
6	4452815	Tube, Manifold
7	4452816	Manifold Assembly Right Side

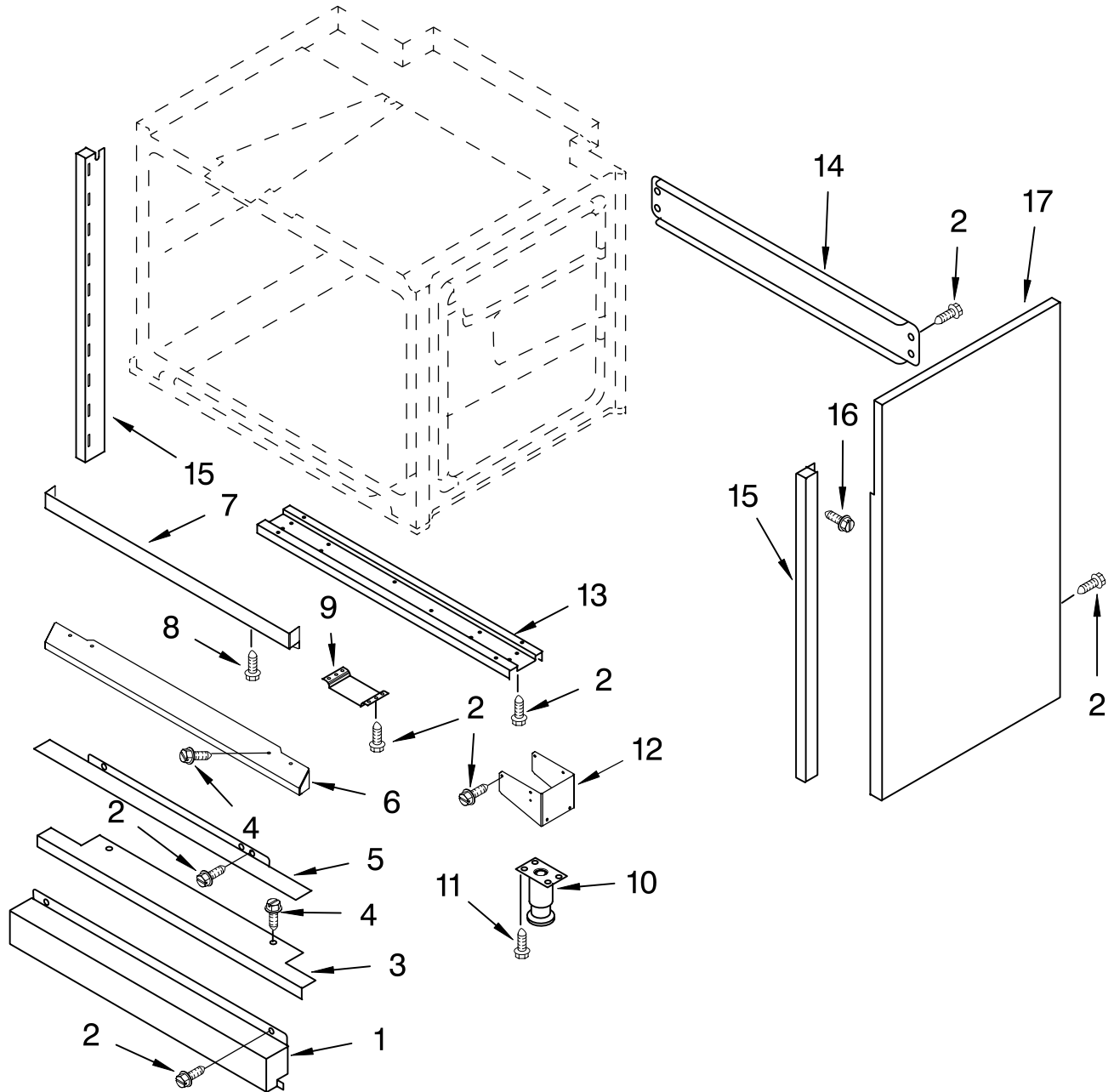
Illus. No.	Part No.	DESCRIPTION
8	3192157	Valve, Burner
	3185829	Bolt (4)
9	3185829	Bolt, Gas Valve
10	4453032	Burner Switch & Harness Assembly
	3191387	Seal, Switch
11	4453033	Pressure Regulator
12	4455827	Box, Burner
13	3192439	Seal, Switch
15	4454953	Right Side
	4454954	Left Side
16	4455027	Support, Rear
17	4455828	Support, Cooktop

Illus. No.	Part No.	DESCRIPTION
18	3192811	Bracket, Burner
19	3177991	Screw, 8–18 x 1/4
20	4454974	Rail, Support RH & LH
21	4455645	Tube, Manifold
22	4453119	Cover, Manifold
23		Adapter
	4453116	1/2" Female
	4453115	1/2" Male
	4450118	Nut, 6–32 U Type
24	4453036	Cover, Burner Box
25	8522426	Module, Spark
26	3191417	Wire, Ground

FOR ORDERING INFORMATION REFER TO PARTS PRICE LIST

CHASSIS PARTS

For Model: KDRP407HSS4
(Stainless Steel)



Illus. No.	Part No.	DESCRIPTION
1	4452802	Vent, Bottom Lower
2	4449809	Screw, 8-18 x 3/8
3	4452798	Backer, Trim Lower
4	3400837	Screw, 8-18 x 3/8
5	4452800	Deflector, Center
6	4452420	Vent, Bottom Upper
7	4452425	Vent, Center
	4453323	Gasket
	3400805	Screw (4)

Illus. No.	Part No.	DESCRIPTION
8	3196537	Screw, 8-18 x 3/8
9	4455604	Bracket, Mounting Regulator
10	4452430	Foot Assembly
11	3400518	Screw, 5/16-12 x 5/8
12	4455644	Gusset
13	4455643	Support, Channel
	3400080	Screw (8)

Illus. No.	Part No.	DESCRIPTION
14	4452433	Brace, Rear
15	4452804	Trim, Front Right Side
	4453205	Left Side
16	3196537	Screw, 8-18 x 3/8 Side Chassis
17	4452418	Right Side
	4452419	Left Side

FOR ORDERING INFORMATION REFER TO PARTS PRICE LIST

MISCELLANEOUS PARTS

For Model: KDRP407HSS4
(Stainless Steel)

Illus. No.	Part No.	DESCRIPTION	Illus. No.	Part No.	DESCRIPTION	Illus. No.	Part No.	DESCRIPTION
<u>SPLICING WIRES--25FT.</u>			<u>WIRING HARNESS PARTS</u>			<u>ADHESIVE</u>		
<u>LENGTH</u>								
	242828	Wire (12 Ga. 150 c Black)		4448444	Grommet, Rail		591014	Adhesive
	242820	Wire (14 Ga. 150 c Black)		4455742	Harness, Wire (Main)			Loctite (1/3 oz.)
	242821	Wire (14 Ga. 150 c Blue)		4455642	Harness, Wire (Spark Module)		482338	Sealer, Silastic (3 oz.)
	242822	Wire (14 Ga. 150 c Brown)		4453003	Harness, Wire (Ignitor 39")		4453192	Seal, Ribbon Cable
	242830	Wire (14 Ga. 200 c Brown)		3192230	Harness, Wire (Ignitor 28")		4453191	Seal, Access Panel
	242823	Wire (14 Ga. 150 c Green)		3192229	Harness, Wire (Ignitor 15")	<u>Miscellaneous</u>		
	242824	Wire (14 Ga. 150 c Orange)		3191506	Bushing, Conduit		814381	Pin Hinge Kit
	242829	Wire (12 Ga. 150 c Red)		1129449	Bushing		4455353	Spud Kit
	242825	Wire (14 Ga. 150 c Red)		4450952	Conduit		4453141	Bracket, Anti-Tip
	242831	Wire (14 Ga. 200 c Red)		112432	Nut		4453202	Bracket, Anti-Tip
	242826	Wire (14 Ga. 150 c White)		4450800	Screw, Ground			
	242827	Wire (14 Ga. 150 c Yellow)		4454835	Tie, Cable			
	242832	Wire (14 Ga. 200 c Yellow)		4452222	Spacer, Harness			

FOR ORDERING INFORMATION REFER TO PARTS PRICE LIST